



WF SERIES

WF系列



WF series represents a wide range precision reduction gears with flange shaped case. WF series high precision reduction gears consist of an accurate reduction mechanism and high-capacity radial and axial cylindrical bearings. This design of gears allows the mounting of the load directly to the output flange or case without requigears are characterized by a modular design, it can be directly connected to any servo brand motor.

WF系列是带法兰的高精度减速机，范围广泛的形式。WF系列高精度减速机包括精确的减速机构和径向-轴向滚柱轴承。减速机的独特设计可以允许负载直接作用在输出法兰或壳体上，无需额外的轴承。WF系列高精度减速机的特点是模块化设计，可以直连任何伺服品牌电机。

Advantages

- High rigidity
- High precision
- High torque
- Small size
- Efficient
- Long lifetime
- Easy assembly

优点

- 高刚性
- 高精度
- 高扭矩
- 尺寸小
- 效率高
- 寿命长
- 易安装

WF SERIES

WF series features / WF系列特点

case 壳体	a) threaded holes in case b) threaded and through holes in case	a) 输出面带螺纹孔 b) 输出面带螺纹孔和通孔
Input shaft design 输入轴设计	Input shaft offers following versions: a) shaft with key-way b) according to special request	输入轴有以下形式: a) 带键轴 b) 根据特殊要求
Installation and operation characteristics 安装和运行特点	A wider range of modular configurations	模块化结构

WF series ordering specifications / WF系列订购规格

WF	17	51	A	B
Name 名称	Size 规格	Ratio 速比	Input 输入端	Output 输出端
WF	07	Reference rating table 参考参数表	a)键输入 b)抱索输入	a)轴输出 b)法兰输出
	17			
	25		a)Key input b)Hold on to input	a)Axis output b)Flange output
	32			
	40			

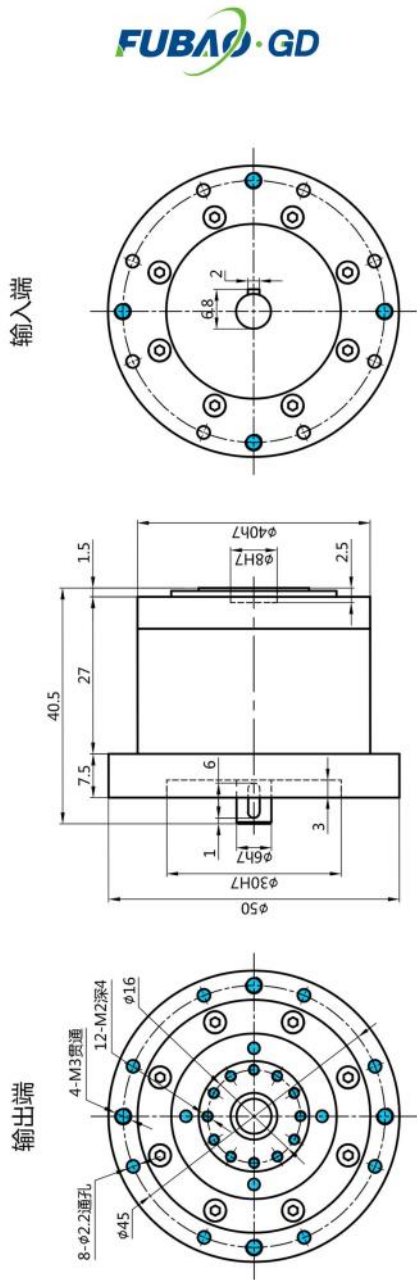
Rating table WF series/WF系列参数表

Size 规格	Reduction ratio 速比		Rated Output Torque 额定输出力矩	Opening and stopping allowable moment 启、停容许力矩		Instantaneous admissible moment 瞬时容许力矩	Rated input speed 额定输入转速	Max input speed 最大输入转速	Inclination stiffness 倾斜刚度	Torsional stiffness 扭转刚度	Maximum radial force 最大径向力	No-load startup moment 空载启动力矩	Driving Accuracy 传动精度	Backlash accuracy 回差精度	Inertial moment 惯性力矩 (×10 <sup>-6</sup> )	weight 重量
	轴齿研 Axis rotation	外壳齿研 Shell rotation	Nm	Nm	Nm	r/min	r/min	Nm/rad/s	Nm/rad/s	N	Nm	arcmin	arcmin	kg·m <sup>2</sup>	kg	
WF7	21	21	22	30	40	3000	8000	6	1.1	150	0.12	表式	表式	0.52	0.42	
	41	41	35													0.11
WF17	21	21	50	100	250	3000	8000	20	6	400	0.22	表式	表式	0.88	1	
	31	31	93													0.19
	41	41	58													0.17
	61	61	60													0.14
WF25	21	21	70	220	330	3000	5500	111	24	770	0.25	表式	表式	0.12	2.3	
	31	31	78													0.22
	41	41	85													0.3
	51	51	100													0.3
	81	81	110													0.3
WF32	25	24	120	300	570	3000	6500	140	35	1600	0.65	表式	表式	11	4.0	
	31	31	120													0.63
	51	51	150													0.6
	81	81	180													0.6
	101	100	190													0.6
WF40	25	24	150	440	850	3000	8000	177	51	1750	0.9	表式	表式	13.2	6.6	
	31	31	150													0.85
	51	51	200													0.8
	81	81	200													0.8
	121	120	400													0.8

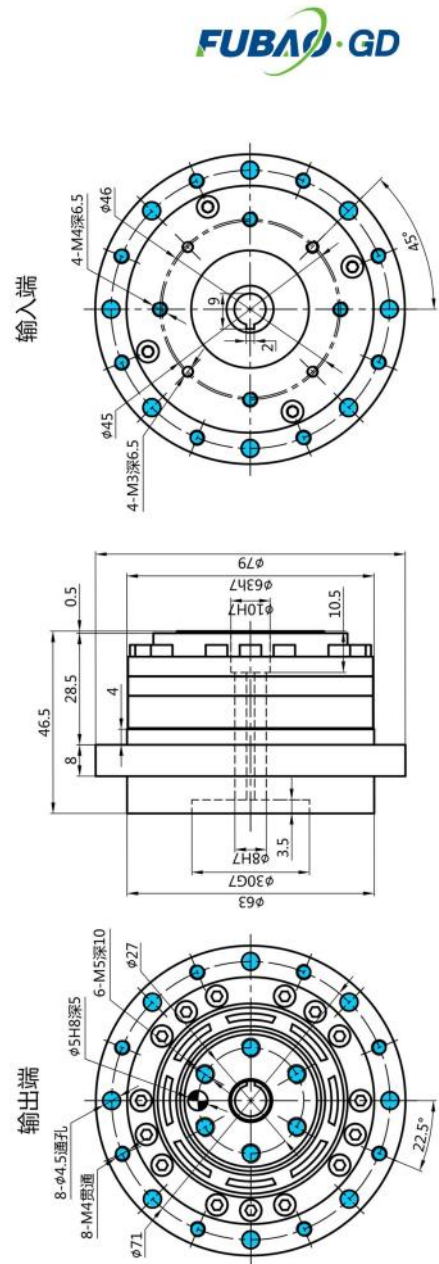
Notes: Medium speed ratio "italics, thickening" is the commonly used speed ratio, other speed ratios can be booked.  
Rightto change without prior notice reserved!

注：表中速比值“斜体、加粗”为常用速比，其它速比值可以预订。  
保留更改权！

WF07法兰输出型圆齿式减速机  
WF07 FLANGE OUTPUT CIRCULAR GEAR REDUCER



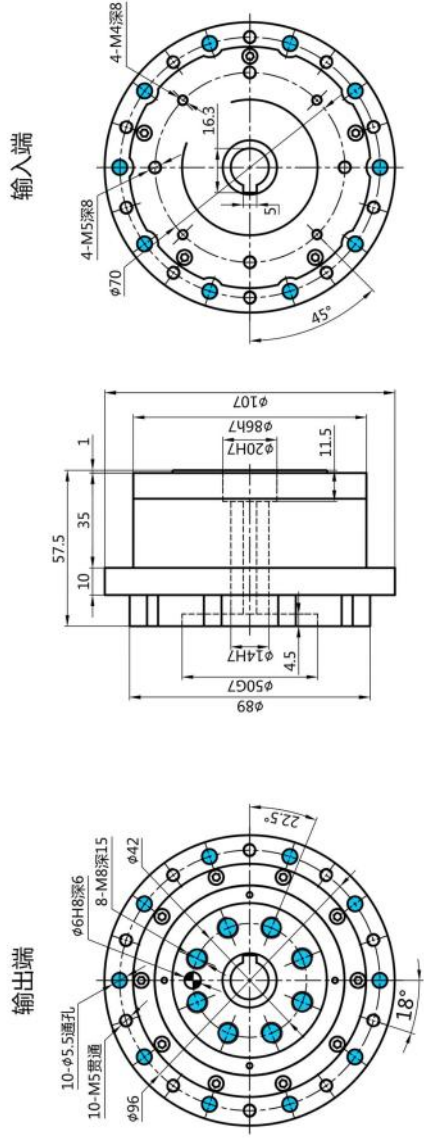
WF17法兰输出型圆齿式减速机  
WF17 FLANGE OUTPUT CIRCULAR GEAR REDUCER





WF25法兰输出型圆齿式减速机

WF25 FLANGE OUTPUT CIRCULAR GEAR REDUCER

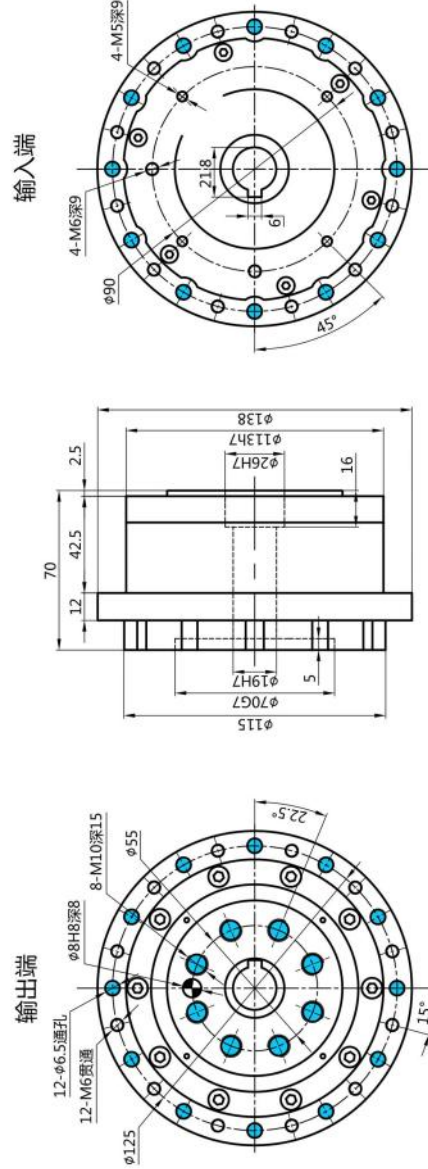


Web:www.fbreducer.com



WF32法兰输出型圆齿式减速机

WF32 FLANGE OUTPUT CIRCULAR GEAR REDUCER

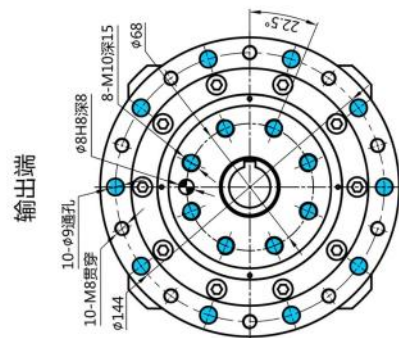
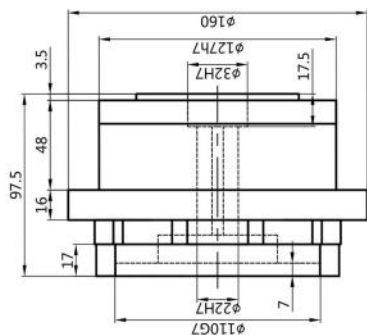
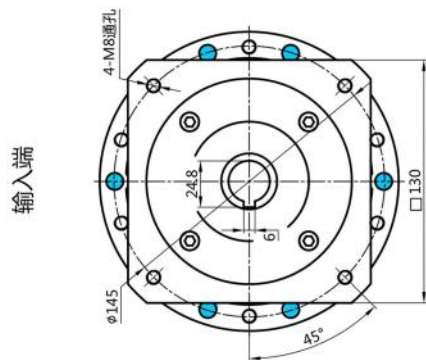


Web:www.fbreducer.com



Email:info@fubao-dg.com

Email:info@fubao-dg.com



WF40法兰输出型圆齿式减速机  
WF40 FLANGE OUTPUT CIRCULAR GEAR REDUCER



Quality is our base line

Achieving customers'goals is our success

Now facing the world to find excellent partners