

WFH系列



WFH series high precision reduction gears with through holes in the shafts, also known as hollow-shaft version. Cables, tubes with compressed air, drive shafts etc can be led via the through holes in the shaft of the gear. WFH series is completely sealed and are filled with grease for its lifetime. WFH series high precision reduction gears consist of an accurate reduction mechanism and high-capacity radial and axial cylindrical bearings. This design of reduction gears allows the mounting of the load directly to the output flange or case without requiring additional bearings.

WFH系列是中空轴形式的高精度减速机。电线、压缩空气管道、驱动轴等可通过中空轴。WFH系列全密封，充满润滑脂。WFH系列高精度减速机包括精确的减速机构和径向、轴向滚柱轴承。减速机的独特设计可以允许负载直接作用在输出法兰或壳体上，无需额外的轴承。

Advantages

- High torque
- High rigidity
- High-precision
- Small volume
- High speed ratio
- Big hollow

优点

- 高扭力
- 高刚性
- 高精度
- 体积小
- 大速比
- 大中空

WFH series ordering specifications / WFH系列订购规格

WFH	17	51	A	B
Name 名称	Size 规格	Ratio 速比	Input 输入端	Output 输出端
WFH	17	Reference rating table 参考参数表	a)键输入 b)抱紧输入	a)轴输出 b)法兰输出
	25			
	32		a)Key input b)Hold on to input	a)Axis output b)Flange output
	40			

WF series features / WF系列特点

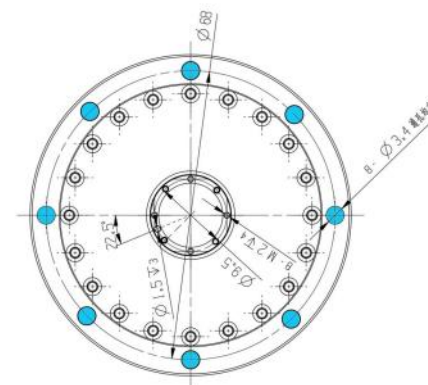
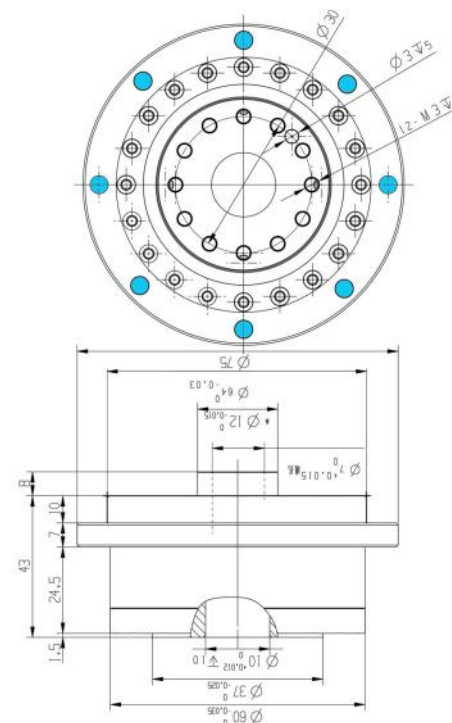
case 壳体	a)threaded holes in case b)threaded and through holes in case	a)输出面带螺纹孔 b)输出面带螺纹孔和通孔
Input shaft design 输入轴设计	Input shaft offers following versions: a)shaft with key-way b)according to special request	输入轴有以下形式: a)带键轴 b)根据特殊要求
Installation and operation characteristics 安装和运行特点	A wider range of modular configurations	模块化结构

Rating table WFH series / WFH系列参数表

Size 规格	Reduction ratio 速比		Rated Output Torque 额定输出转矩	Opening and stopping allowable moment 启、停容许力矩	Instantaneous admissible moment 瞬时容许力矩	Rated input speed 额定输入转速	Max input speed 最大输入转速	Inclination stiffness 倾斜刚度	Torsional stiffness 扭转变刚度	No-load startup moment 空载启动力矩	Driving Accuracy 传动精度	Backlash accuracy 回差精度	Inertial moment 惯性力矩 (×10 ⁻⁶)	weight 重量
	轴旋转 Axis rotation	外壳旋转 Shell rotation												
WFH17	21	20	50	100	150	3000	6000	28	6	0.21	P1/Δ±1 P2/Δ±3	P1/Δ±1 P2/Δ±3	0.88	0.85
	41	40												
	61	60												
WFH25	21	20	110	220	330	3000	5500	131	24	0.47	P1/Δ±1 P2/Δ±3	P1/Δ±1 P2/Δ±3	6.12	2
	31	30												
	41	40												
	51	50												
	81	80												
WFH32	25	24	190	380	570	3000	4500	240	35	1.15	P1/Δ±1 P2/Δ±3	P1/Δ±1 P2/Δ±3	11	4.2
	31	30												
	51	50												
	81	80												
	101	100												
WFH40	25	24	320	640	960	3000	4000	377	50	1.35	P1/Δ±1 P2/Δ±3	P1/Δ±1 P2/Δ±3	13.2	6.6
	31	30												
	51	50												
	81	80												
	121	120												

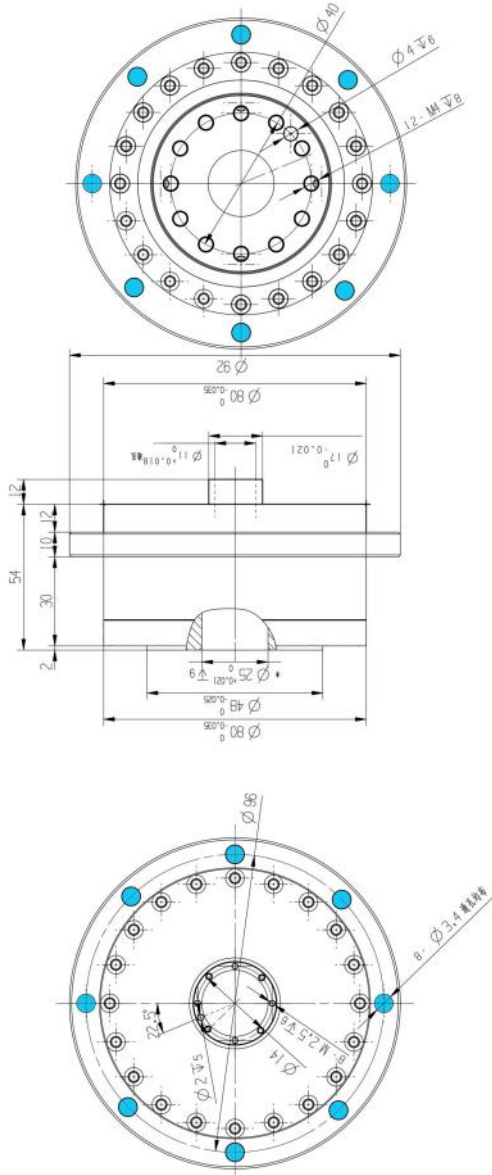
Notes: Medium speed ratio "italic, thickening" is the standard value, other speed ratios can be booked.
Right to change without prior notice reserved!

注：表中速比值“斜体、加粗”为常用速比，其它速比值可以预订。
保留更改权！



WFH11中空行星圆齿式减速机

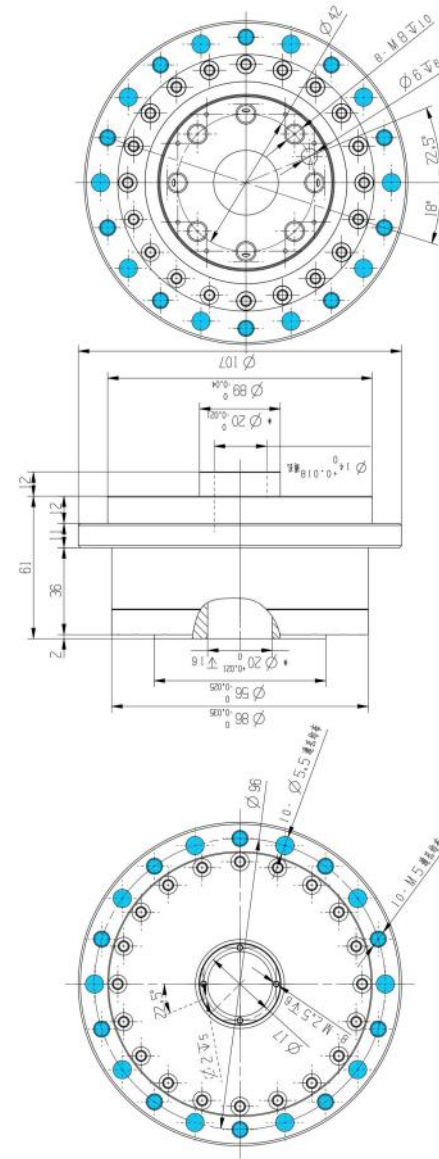
WFH17中空行星圆齿式减速机
WFH17 HOLLOW PLANETARY CIRCULAR GEAR REDUCER



Web:www.fbreducer.com

Email:info@fubao-dg.com

WFH25中空行星圆齿式减速机
WFH25 HOLLOW PLANETARY CIRCULAR GEAR REDUCER



Web:www.fbreducer.com

Email:info@fubao-dg.com

